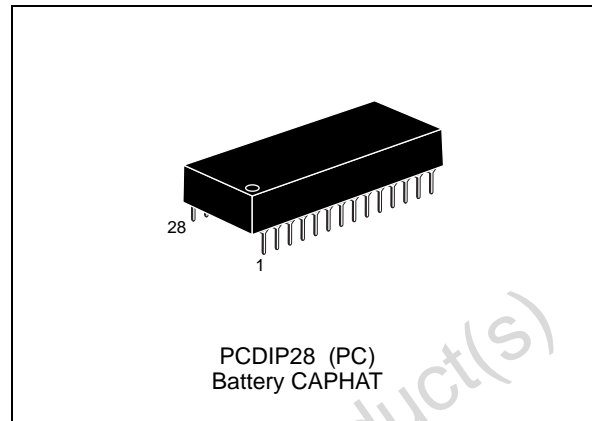


CMOS 8K x 8 ZEROPOWER SRAM

- INTEGRATED ULTRA LOW POWER SRAM, POWER-FAIL CONTROL CIRCUIT and BATTERY
- UNLIMITED WRITE CYCLES
- READ CYCLE TIME EQUALS WRITE CYCLE TIME
- AUTOMATIC POWER-FAIL CHIP DESELECT and WRITE PROTECTION
- POWER-FAIL INTERRUPT
- CHOICE of TWO WRITE PROTECT VOLTAGES:
  - M48Z09:  $4.5V \leq V_{PFD} \leq 4.75V$
  - M48Z19:  $4.2V \leq V_{PFD} \leq 4.5V$
- SELF CONTAINED BATTERY in the CAPHAT DIP PACKAGE
- 11 YEARS of DATA RETENTION in the ABSENCE of POWER
- PIN and FUNCTION COMPATIBLE with the MK48Z09, 19 and JEDEC STANDARD 8K x 8 SRAMs



**DESCRIPTION**

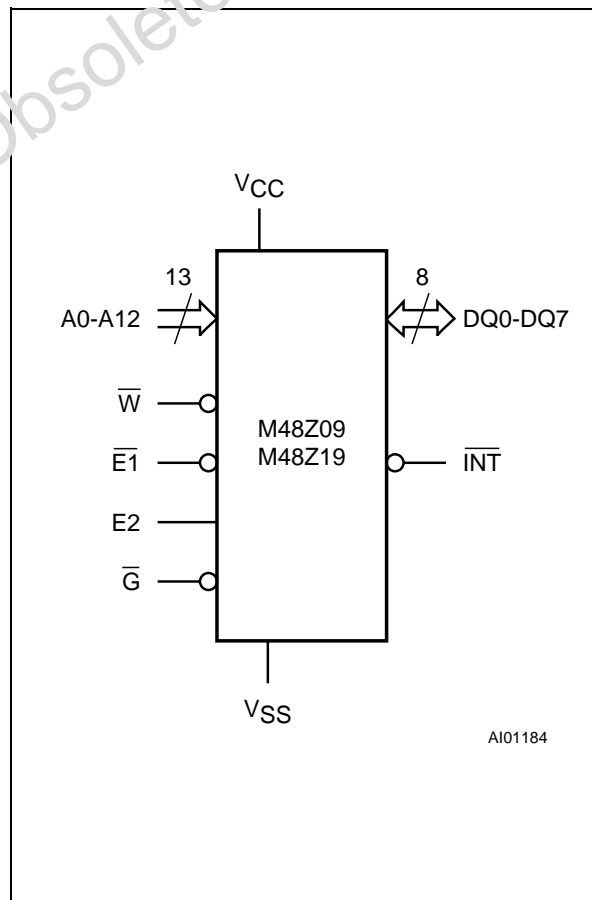
The M48Z09,19 ZEROPOWER<sup>®</sup> RAM is an 8K x 8 non-volatile static RAM which is pin and function compatible with the MK48Z09,19.

A special 28 pin 600mil DIP CAPHAT package houses the M48Z09,19 silicon with a long life lithium button cell to form a highly integrated battery backed-up memory solution.

**Table 1. Signal Names**

A0-A12	Address Inputs
DQ0-DQ7	Data Inputs / Outputs
$\overline{INT}$	Power Fail Interrupt
$\overline{E1}$	Chip Enable 1
E2	Chip Enable 2
$\overline{G}$	Output Enable
$\overline{W}$	Write Enable
Vcc	Supply Voltage
Vss	Ground

**Figure 1. Logic Diagram**



**Table 2. Absolute Maximum Ratings**

Symbol	Parameter	Value	Unit
T <sub>A</sub>	Ambient Operating Temperature	0 to 70	°C
T <sub>STG</sub>	Storage Temperature (V <sub>CC</sub> Off)	-40 to 85	°C
V <sub>IO</sub>	Input or Output Voltages	-0.3 to 7	V
V <sub>CC</sub>	Supply Voltage	-0.3 to 7	V
I <sub>O</sub>	Output Current	20	mA
P <sub>D</sub>	Power Dissipation	1	W

**Note:** Stresses greater than those listed under "Absolute Maximum Ratings" may cause permanent damage to the device. This is a stress rating only and functional operation of the device at these or any other conditions above those indicated in the operational section of this specification is not implied. Exposure to the absolute maximum ratings conditions for extended periods of time may affect reliability.

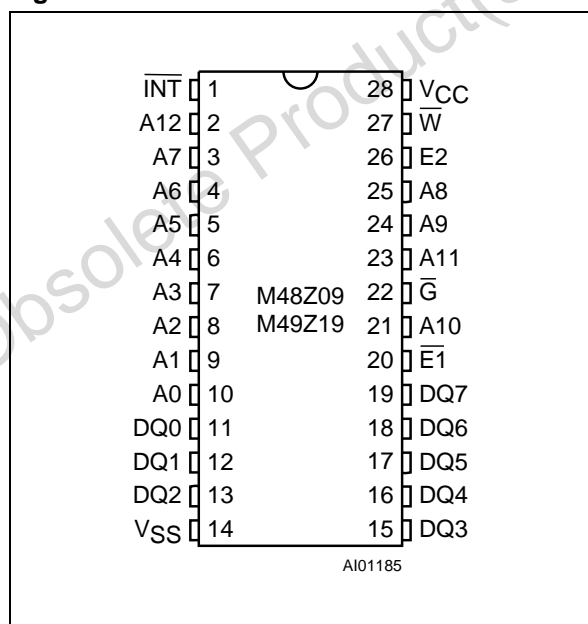
**CAUTION:** Negative undershoots below -0.3 volts are not allowed on any pin while in the Battery Back-up mode.

**Table 3. Operating Modes**

Mode	V <sub>CC</sub>	$\overline{E1}$	E2	$\overline{G}$	$\overline{W}$	DQ0-DQ7	Power
Deselect	4.75V to 5.5V or 4.5V to 5.5V	V <sub>IH</sub>	X	X	X	High Z	Standby
Deselect		X	V <sub>IL</sub>	X	X	High Z	Standby
Write		V <sub>IL</sub>	V <sub>IH</sub>	X	V <sub>IL</sub>	D <sub>IN</sub>	Active
Read		V <sub>IL</sub>	V <sub>IH</sub>	V <sub>IL</sub>	V <sub>IH</sub>	D <sub>OUT</sub>	Active
Read		V <sub>IL</sub>	V <sub>IH</sub>	V <sub>IH</sub>	V <sub>IH</sub>	High Z	Active
Deselect	V <sub>SO</sub> to V <sub>PFD</sub> (min)	X	X	X	X	High Z	CMOS Standby
Deselect	≤ V <sub>SO</sub>	X	X	X	X	High Z	Battery Back-up Mode

**Note:** X = V<sub>IH</sub> or V<sub>IL</sub>

**Figure 2A. DIP Pin Connections**



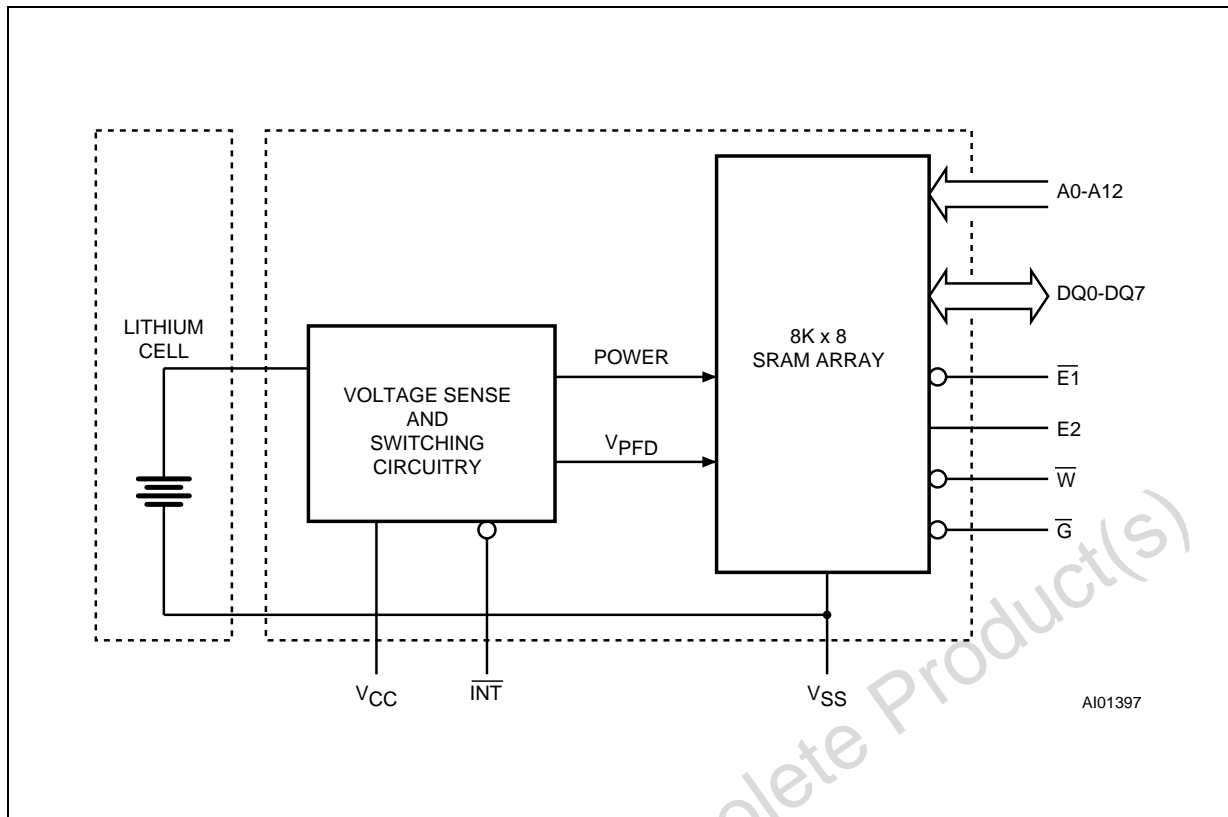
**DESCRIPTION (cont'd)**

The M48Z09,19 button cell has sufficient capacity and storage life to maintain data for an accumulated time period of at least 11 years in the absence of power over the operating temperature range.

The M48Z09,19 is a non-volatile pin and function equivalent to any JEDEC standard 8K x 8 SRAM. It also easily fits into many ROM, EPROM, and EEPROM sockets, providing the non-volatility of PROMs without any requirement for special write timing or limitations on the number of writes that can be performed.

The M48Z09,19 also has its own Power-fail Detect circuit. The control circuitry constantly monitors the single 5V supply for an out of tolerance condition. When V<sub>CC</sub> is out of tolerance, the circuit write protects the SRAM, providing a high degree of data security in the midst of unpredictable system operation brought on by low V<sub>CC</sub>. As V<sub>CC</sub> falls below approximately 3V, the control circuitry connects the battery which maintains data and clock operation until valid power returns.

Figure 3. Block Diagram



### READ MODE

The M48Z09,19 is in the Read Mode whenever  $\overline{W}$  (Write Enable) is high,  $\overline{E1}$  (Chip Enable 1) is low, and E2 (Chip Enable 2) is high. The device architecture allows ripple-through access of data from eight of 65,536 locations in the static storage array. Thus, the unique address specified by the 13 Address Inputs defines which one of the 8,192 bytes of data is to be accessed. Valid data will be available at the Data I/O pins within  $t_{AVQV}$  (Address Access Time) after the last address input signal is stable, providing that the  $\overline{E1}$ , E2, and  $\overline{G}$  access times are also satisfied. If the  $\overline{E1}$ , E2 and  $\overline{G}$  access times are not met, valid data will be available after the latter of the Chip Enable Access Times ( $t_{E1LQV}$  or  $t_{E2HQV}$ ) or Output Enable Access Time ( $t_{GLQV}$ ).

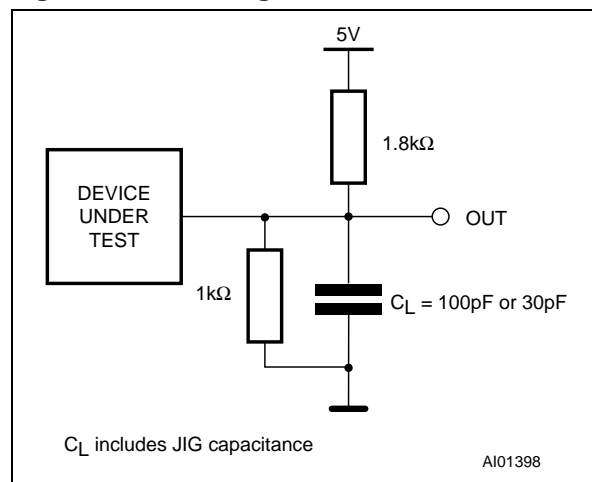
The state of the eight three-state Data I/O signals is controlled by  $\overline{E1}$ , E2 and  $\overline{G}$ . If the outputs are activated before  $t_{AVQV}$ , the data lines will be driven to an indeterminate state until  $t_{AVQV}$ . If the Address Inputs are changed while  $\overline{E1}$ , E2 and  $\overline{G}$  remain active, output data will remain valid for  $t_{AXQX}$  (Output Data Hold Time) but will go indeterminate until the next Address Access.

### AC MEASUREMENT CONDITIONS

Input Rise and Fall Times	$\leq 5\text{ns}$
Input Pulse Voltages	0 to 3V
Input and Output Timing Ref. Voltages	1.5V

Note that Output Hi-Z is defined as the point where data is no longer driven.

Figure 4. AC Testing Load Circuit



**Table 4. Capacitance <sup>(1)</sup> (T<sub>A</sub> = 25 °C)**

Symbol	Parameter	Test Condition	Min	Max	Unit
C <sub>IN</sub>	Input Capacitance	V <sub>IN</sub> = 0V		10	pF
C <sub>IO</sub> <sup>(2)</sup>	Input / Output Capacitance	V <sub>OUT</sub> = 0V		10	pF

**Notes:** 1. Effective capacitance calculated from the equation  $C = I\Delta t/\Delta V$  with  $\Delta V = 3V$  and power supply at 5V.  
2. Outputs deselected

**Table 5. DC Characteristics (T<sub>A</sub> = 0 to 70°C; V<sub>CC</sub> = 4.75V to 5.5V or 4.5V to 5.5V)**

Symbol	Parameter	Test Condition	Min	Max	Unit
I <sub>LI</sub>	Input Leakage Current	0V ≤ V <sub>IN</sub> ≤ V <sub>CC</sub>		±1	μA
I <sub>LO</sub>	Output Leakage Current	0V ≤ V <sub>OUT</sub> ≤ V <sub>CC</sub>		±5	μA
I <sub>CC</sub>	Supply Current	Outputs open		80	mA
I <sub>CC1</sub>	Supply Current (Standby) TTL	$\overline{E1} = V_{IH}$ , E2 = V <sub>IL</sub>		3	mA
I <sub>CC2</sub>	Supply Current (Standby) CMOS	$\overline{E1} = V_{CC} - 0.2V$ , E2 = V <sub>SS</sub> + 0.2V		3	mA
V <sub>IL</sub>	Input Low Voltage		-0.3	0.8	V
V <sub>IH</sub>	Input High Voltage		2.2	V <sub>CC</sub> + 0.3	V
V <sub>OL</sub>	Output Low Voltage	I <sub>OL</sub> = 2.1mA		0.4	V
	Output Low Voltage ( $\overline{INT}$ ) <sup>(1)</sup>	I <sub>OL</sub> = 0.5mA		0.4	V
V <sub>OH</sub>	Output High Voltage	I <sub>OH</sub> = -1mA	2.4		V

**Note:** 1. The INT pin is Open Drain.

**Table 6. Power Down/Up Trip Points DC Characteristics <sup>(1)</sup> (T<sub>A</sub> = 0 to 70°C)**

Symbol	Parameter	Min	Typ	Max	Unit
V <sub>PFD</sub>	Power-fail Deselect Voltage (M48Z09)	4.5	4.6	4.75	V
V <sub>PFD</sub>	Power-fail Deselect Voltage (M48Z19)	4.2	4.3	4.5	V
V <sub>SO</sub>	Battery Back-up Switchover Voltage		3.0		V
t <sub>DR</sub>	Expected Data Retention Time	11			YEARS

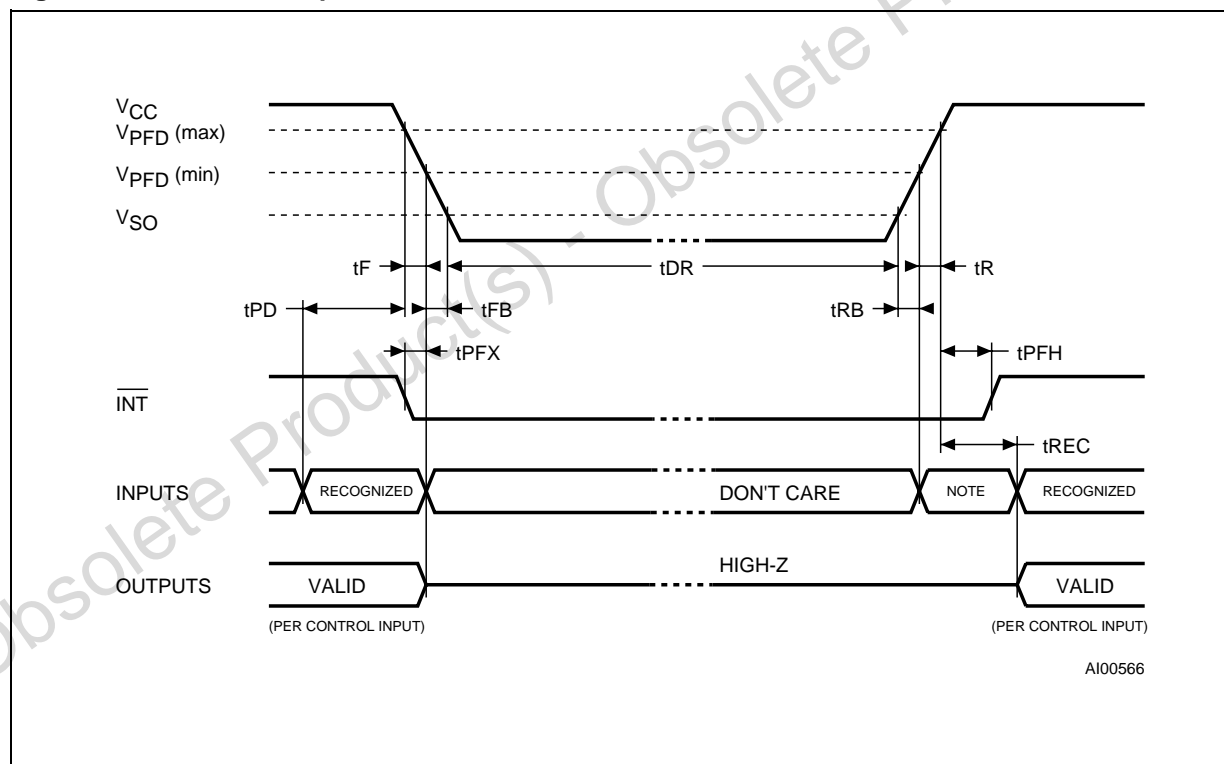
**Note:** 1. All voltages referenced to V<sub>SS</sub>.

Table 7. Power Down/Up Mode AC Characteristics ( $T_A = 0$  to  $70^\circ\text{C}$ )

Symbol	Parameter	Min	Max	Unit
$t_{PD}$	$\overline{E1}$ or $\overline{W}$ at $V_{IH}$ or E2 at $V_{IL}$ before Power Down	0		$\mu\text{s}$
$t_F^{(1)}$	$V_{PFD}(\text{max})$ to $V_{PFD}(\text{min})$ $V_{CC}$ Fall Time	300		$\mu\text{s}$
$t_{FB}^{(2)}$	$V_{PFD}(\text{min})$ to $V_{SO}$ $V_{CC}$ Fall Time	10		$\mu\text{s}$
$t_R$	$V_{PFD}(\text{min})$ to $V_{PFD}(\text{max})$ $V_{CC}$ Rise Time	0		$\mu\text{s}$
$t_{RB}$	$V_{SO}$ to $V_{PFD}(\text{min})$ $V_{CC}$ Rise Time	1		$\mu\text{s}$
$t_{REC}$	$\overline{E1}$ or $\overline{W}$ at $V_{IH}$ or E2 at $V_{IL}$ after Power Up	1		ms
$t_{PFX}$	$\overline{INT}$ Low to Auto Deselect	10	40	$\mu\text{s}$
$t_{PFH}^{(3)}$	$V_{PFD}(\text{max})$ to $\overline{INT}$ High		120	$\mu\text{s}$

**Notes:** 1.  $V_{PFD}(\text{max})$  to  $V_{PFD}(\text{min})$  fall time of less than  $t_F$  may result in deselection/write protection not occurring until  $200 \mu\text{s}$  after  $V_{CC}$  passes  $V_{PFD}(\text{min})$ .  
 2.  $V_{PFD}(\text{min})$  to  $V_{SO}$  fall time of less than  $t_{FB}$  may cause corruption of RAM data.  
 3.  $\overline{INT}$  may go high anytime after  $V_{CC}$  exceeds  $V_{PFD}(\text{min})$  and is guaranteed to go high  $t_{PFH}$  after  $V_{CC}$  exceeds  $V_{PFD}(\text{max})$ .

Figure 5. Power Down/Up Mode AC Waveforms



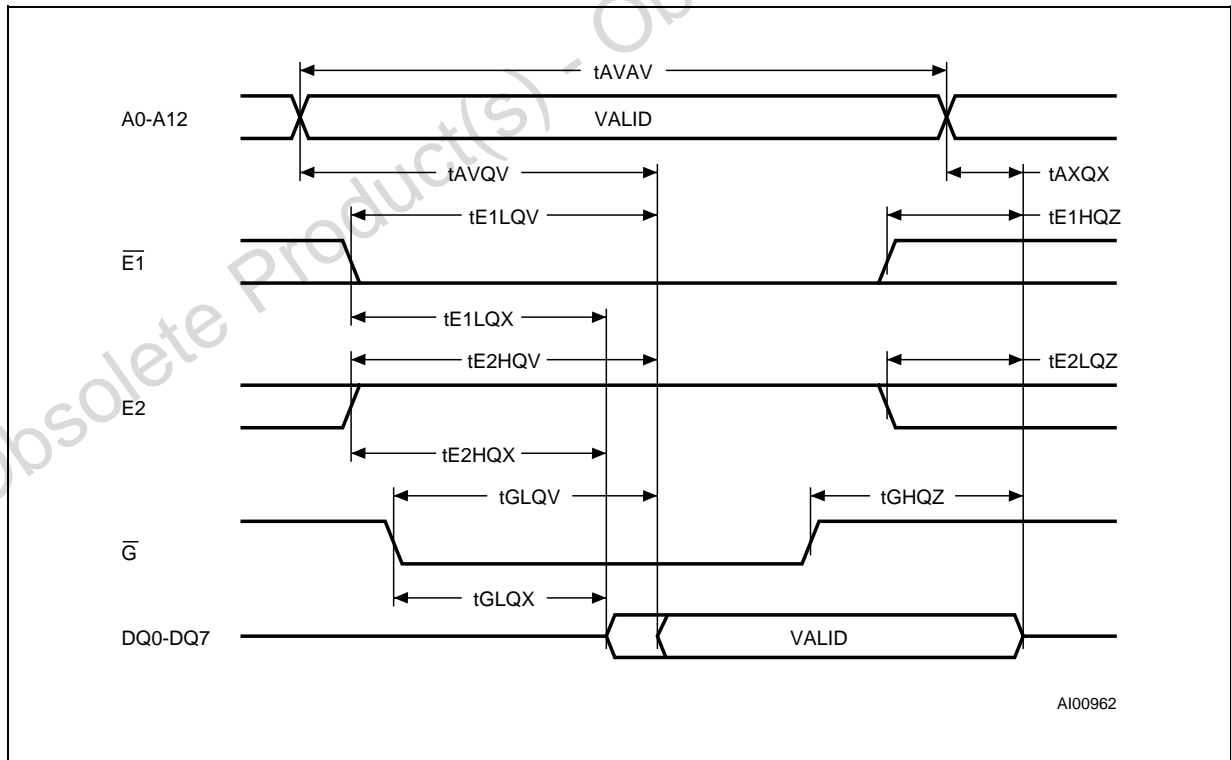
**Note:** Inputs may or may not be recognized at this time. Caution should be taken to keep  $\overline{E1}$  high or E2 low as  $V_{CC}$  rises past  $V_{PFD}(\text{min})$ . Some systems may perform inadvertent write cycles after  $V_{CC}$  rises above  $V_{PFD}(\text{min})$  but before normal system operations begin. Even though a power on reset is being applied to the processor a reset condition may not occur until after the system clock is running.

**Table 8. Read Mode AC Characteristics** ( $T_A = 0$  to  $70^\circ\text{C}$ ;  $V_{CC} = 4.75\text{V}$  to  $5.5\text{V}$  or  $4.5\text{V}$  to  $5.5\text{V}$ )

Symbol	Parameter	M48Z09 / 19		Unit
		-100		
		Min	Max	
$t_{AVAV}$	Read Cycle Time	100		ns
$t_{AVQV}^{(1)}$	Address Valid to Output Valid		100	ns
$t_{E1LQV}^{(1)}$	Chip Enable 1 Low to Output Valid		100	ns
$t_{E2HQV}^{(1)}$	Chip Enable 2 High to Output Valid		100	ns
$t_{GLQV}^{(1)}$	Output Enable Low to Output Valid		50	ns
$t_{E1LQX}^{(2)}$	Chip Enable 1 Low to Output Transition	10		ns
$t_{E2HQX}^{(2)}$	Chip Enable 2 High to Output Transition	10		ns
$t_{GLQX}^{(2)}$	Output Enable Low to Output Transition	5		ns
$t_{E1HQZ}^{(2)}$	Chip Enable 1 High to Output Hi-Z		50	ns
$t_{E2LQZ}^{(2)}$	Chip Enable 2 Low to Output Hi-Z		50	ns
$t_{GHQZ}^{(2)}$	Output Enable High to Output Hi-Z		40	ns
$t_{AXQX}^{(1)}$	Address Transition to Output Transition	5		ns

Notes: 1.  $C_L = 100\text{pF}$  (see Figure 4).  
 2.  $C_L = 30\text{pF}$  (see Figure 4)

**Figure 6. Read Mode AC Waveforms**



**Table 9. Write Mode AC Characteristics** ( $T_A = 0$  to  $70^\circ\text{C}$ ;  $V_{CC} = 4.75\text{V}$  to  $5.5\text{V}$  or  $4.5\text{V}$  to  $5.5\text{V}$ )

Symbol	Parameter	M48Z09 / 19		Unit
		-100		
		Min	Max	
$t_{AVAV}$	Write Cycle Time	100		ns
$t_{AVWL}$	Address Valid to Write Enable Low	0		ns
$t_{AVE1L}$	Address Valid to Chip Enable 1 Low	0		ns
$t_{AVE2H}$	Address Valid to Chip Enable 2 High	0		ns
$t_{WLWH}$	Write Enable Pulse Width	80		ns
$t_{E1LE1H}$	Chip Enable 1 Low to Chip Enable 1 High	80		ns
$t_{E2HE2L}$	Chip Enable 2 High to Chip Enable 2 Low	80		ns
$t_{WHAX}$	Write Enable High to Address Transition	10		ns
$t_{E1HAX}$	Chip Enable 1 High to Address Transition	10		ns
$t_{E2LAX}$	Chip Enable 2 Low to Address Transition	10		ns
$t_{DVWH}$	Input Valid to Write Enable High	50		ns
$t_{DVE1H}$	Input Valid to Chip Enable 1 High	50		ns
$t_{DVE2L}$	Input Valid to Chip Enable 2 Low	50		ns
$t_{WHDX}$	Write Enable High to Input Transition	5		ns
$t_{E1HDX}$	Chip Enable 1 High to Input Transition	5		ns
$t_{E2LDX}$	Chip Enable 2 Low to Input Transition	5		ns
$t_{WLQZ}^{(1, 2)}$	Write Enable Low to Output Hi-Z		50	ns
$t_{AVWH}$	Address Valid to Write Enable High	80		ns
$t_{AVE1H}$	Address Valid to Chip Enable 1 High	80		ns
$t_{AVE2L}$	Address Valid to Chip Enable 2 Low	80		ns
$t_{WHQX}^{(1, 2)}$	Write Enable High to Output Transition	10		ns

Notes: 1.  $C_L \leq 30\text{pF}$  (see Figure 4).

2. If E1 goes low or E2 high simultaneously with  $\overline{W}$  going low, the outputs remain in the high impedance state.

Figure 7. Write Enable Controlled, Write AC Waveforms

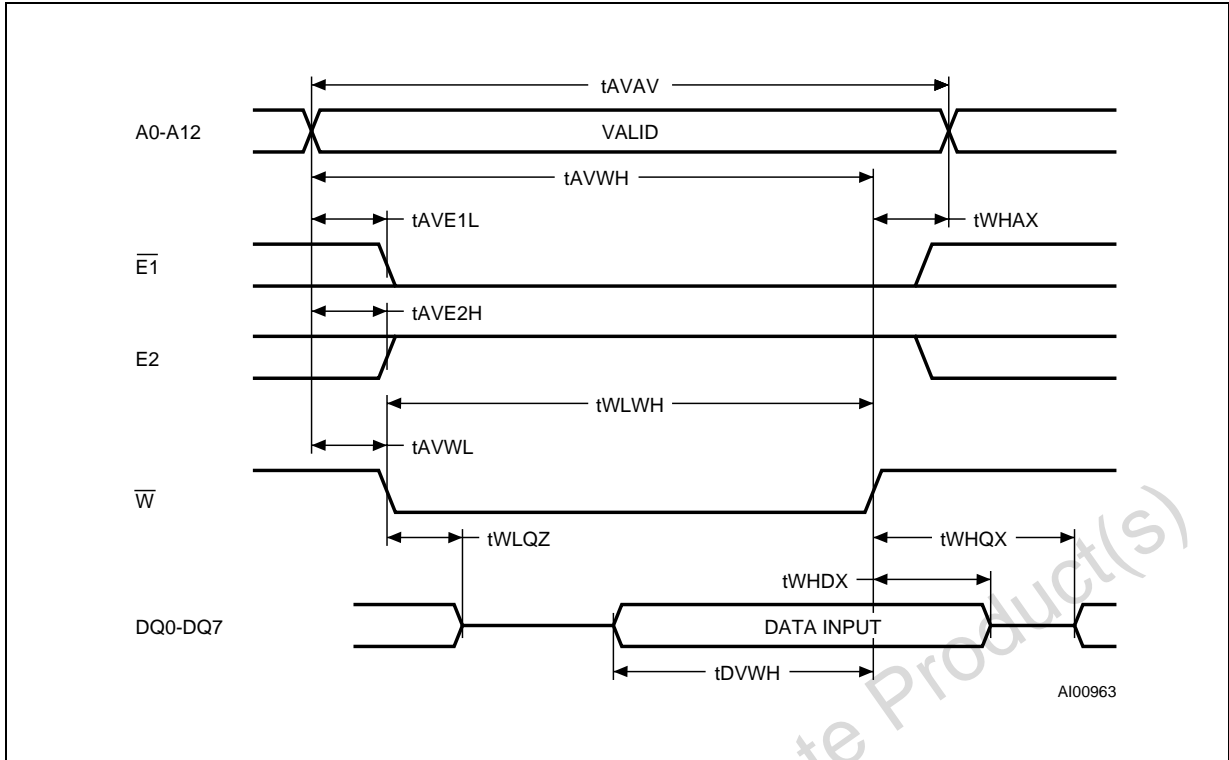
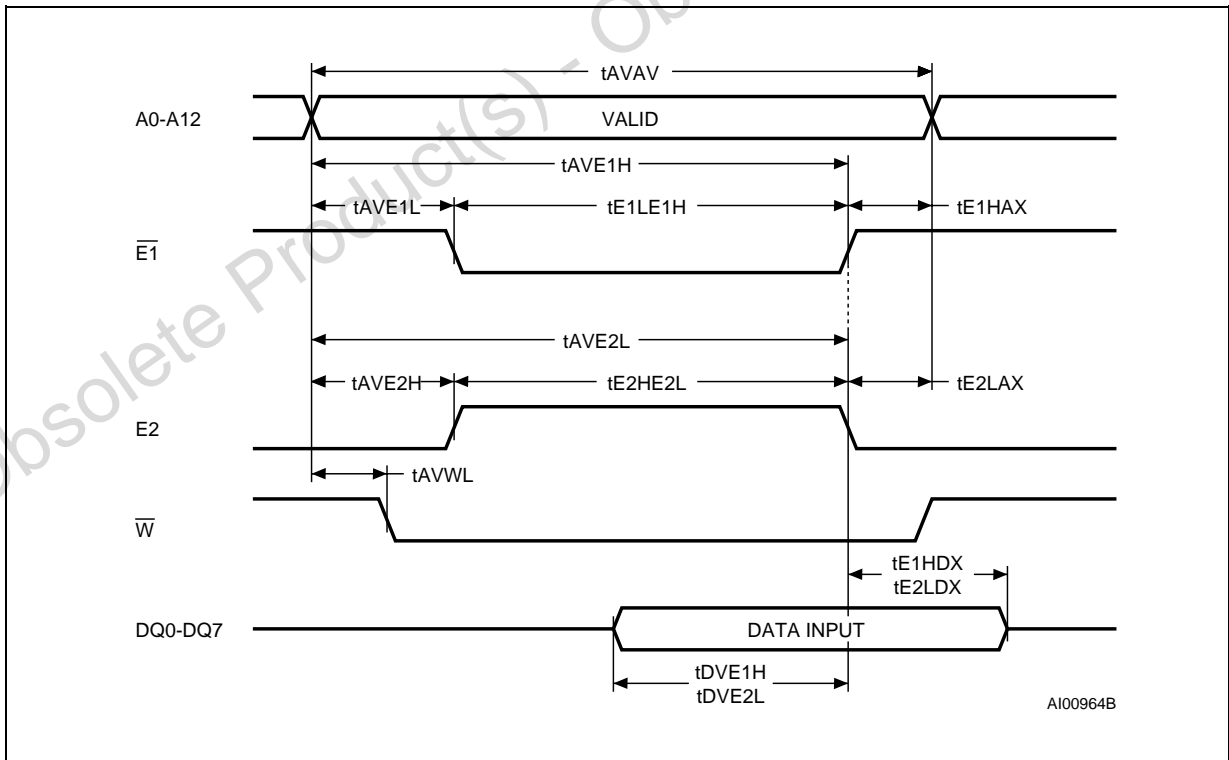


Figure 8. Chip Enable Controlled, Write AC Waveforms





## WRITE MODE

The M48Z09,19 is in the Write Mode whenever  $\overline{W}$ ,  $\overline{E1}$ , and E2 are active. The start of a write is referenced from the latter occurring falling edge of  $\overline{W}$  or  $\overline{E1}$ , or the rising edge of E2. A write is terminated by the earlier rising edge of  $\overline{W}$  or  $\overline{E1}$ , or the falling edge of E2. The addresses must be held valid throughout the cycle.  $\overline{E1}$  or  $\overline{W}$  must return high or E2 low for minimum of  $t_{E1HAX}$  or  $t_{E2LAX}$  from Chip Enable or  $t_{WHAX}$  from Write Enable prior to the initiation of another read or write cycle. Data-in must be valid  $t_{DVWH}$  prior to the end of write and remain valid for  $t_{WHDX}$  afterward.  $\overline{G}$  should be kept high during write cycles to avoid bus contention; although, if the output bus has been activated by a low on  $\overline{E1}$  and  $\overline{G}$  and a high on E2, a low on  $\overline{W}$  will disable the outputs  $t_{WLQZ}$  after  $\overline{W}$  falls.

## DATA RETENTION MODE

With valid  $V_{CC}$  applied, the M48Z09,19 operates as a conventional BYTEWIDE™ static RAM. Should the supply voltage decay, the RAM will automatically power-fail deselect, write protecting itself when  $V_{CC}$  falls within the  $V_{PFD(max)}$ ,  $V_{PFD(min)}$  window. All outputs become high impedance, and all inputs are treated as "don't care."

**Note:** A power failure during a write cycle may corrupt data at the currently addressed location, but does not jeopardize the rest of the RAM's content. At voltages below  $V_{PFD(min)}$ , the user can be assured the memory will be in a write protected state, provided the  $V_{CC}$  fall time is not less than  $t_F$ . The M48Z09,19 may respond to transient noise spikes on  $V_{CC}$  that reach into the deselect window during the time the device is sampling  $V_{CC}$ . Therefore, decoupling of the power supply lines is recommended.

When  $V_{CC}$  drops below  $V_{SO}$ , the control circuit switches power to the internal battery which preserves data and powers the clock. The internal button cell will maintain data in the M48Z09,19 for an accumulated period of at least 10 years when  $V_{CC}$  is less than  $V_{SO}$ . As system power returns and  $V_{CC}$  rises above  $V_{SO}$ , the battery is disconnected, and the power supply is switched to external  $V_{CC}$ . Write protection continues until  $V_{CC}$  reaches  $V_{PFD(min)}$ .  $\overline{E1}$  should be kept high or E2 low as  $V_{CC}$  rises past  $V_{PFD(min)}$  to prevent inadvertent

write cycles prior to processor stabilization. Normal RAM operation can resume  $t_{REC}$  after  $V_{CC}$  exceeds  $V_{PFD(max)}$ .

## POWER FAIL INTERRUPT PIN

The M48Z09,19 continuously monitors  $V_{CC}$ . When  $V_{CC}$  falls to the power-fail detect trip point, an interrupt is immediately generated. An internal clock provides a delay of between 10 $\mu$ s and 40 $\mu$ s before automatically deselecting the M48Z09,19. The INT pin is an open drain output and requires an external pull up resistor, even if the interrupt output function is not being used.

## SYSTEM BATTERY LIFE

The useful life of the battery in the M48Z09,19 is expected to ultimately come to an end for one of two reasons: either because it has been discharged while providing current to the RAM in the battery back-up mode, or because the effects of aging render the cell useless before it can actually be completely discharged. The two effects are virtually unrelated allowing discharge, or Capacity Consumption, and the effects of aging, or Storage Life, to be treated as two independent but simultaneous mechanisms. The earlier occurring failure mechanism defines the battery system life of the M48Z09,19.

### Cell Storage Life

Storage life is primarily a function of temperature. Figure 9 illustrates the approximate storage life of the M48Z09,19 battery over temperature. The results in Figure 9 are derived from temperature accelerated life test studies performed at SGS-THOMSON. For the purpose of the testing, a cell failure is defined as the inability of a cell stabilized at 25°C to produce a 2.4V closed circuit voltage across a 250 k $\Omega$  load resistor. The two lines,  $t_{1\%}$  and  $t_{50\%}$ , represent different failure rate distributions for the cell's storage life. At 70°C, for example, the  $t_{1\%}$  line indicates that an M48Z09,19 has a 1% chance of having a battery failure 28 years into its life while the  $t_{50\%}$  shows the part has a 50% chance of failure at the 50 year mark. The  $t_{1\%}$  line represents the practical onset of wear out and can be considered the worst case Storage Life for the cell. The  $t_{50\%}$  can be considered the normal or average life.

**Calculating Storage Life**

The following formula can be used to predict storage life:

$$\frac{1}{\{(TA1/TT)/SL1\} + \{(TA2/TT)/SL2\} + \dots + \{(TAN/TT)/SLN\}}$$

where,

- TA1, TA2, TAN = time at ambient temperature 1, 2, etc.
- TT = total time = TA1+TA2+...+TAN
- SL1, SL2, SLN = storage life at temperature 1, 2, etc.

For example an M48Z09,19 is exposed to temperatures of 55°C or less for 8322 hrs/yr, and temperatures greater than 60°C but less than 70°C for the remaining 438 hrs/yr. Reading predicted t<sub>1%</sub> values from Figure 9,

- SL1 ≈ 200 yrs, SL2 = 28 yrs
- TT = 8760 hrs/yr
- TA1 = 8322 hrs/yr, TA2 = 438 hrs/yr

Predicted storage life ≥

$$\frac{1}{\{(8322/8760)/200\} + \{(431/8760)/28\}}$$

or 154 years.

As can be seen from these calculations and the results, the expected life time of the M48Z09, 19 should exceed most system requirements.

**Estimated System Life**

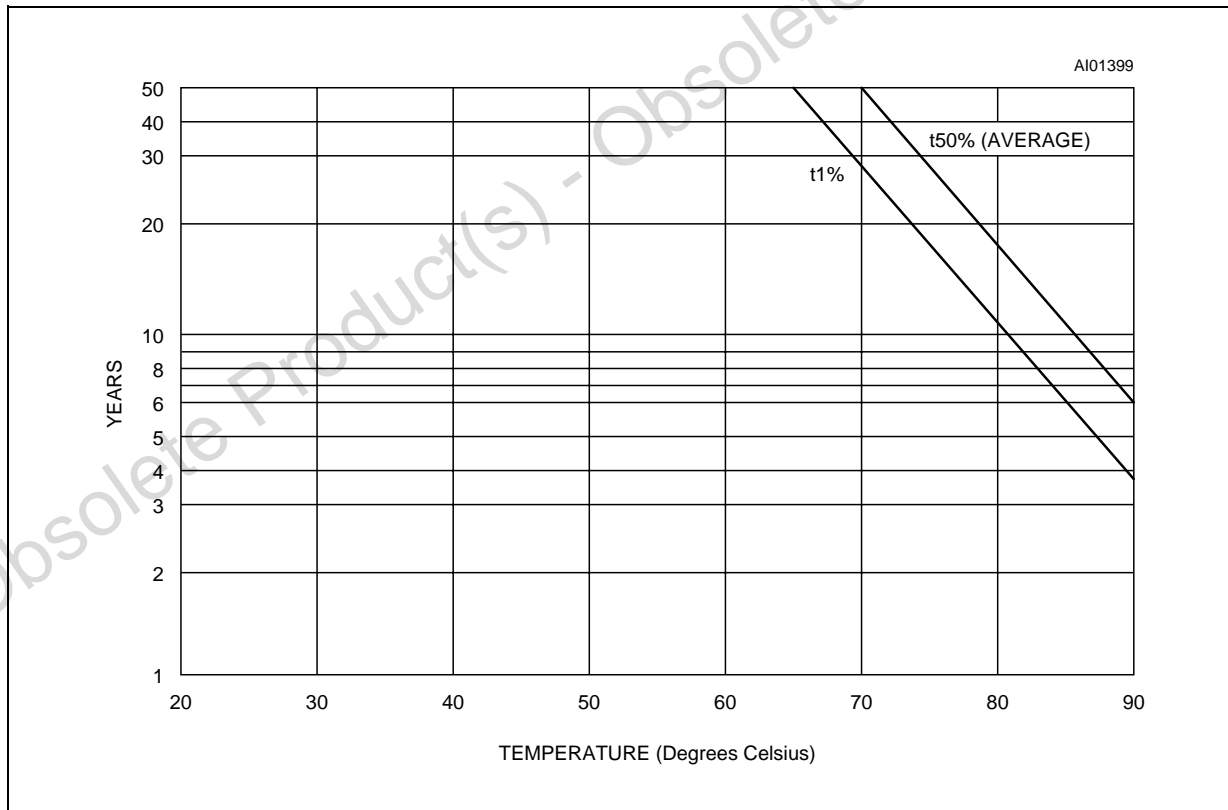
Since either storage life or capacity consumption can end the battery's life, the system life is marked by which ever occurs first.

**Reference for System Life**

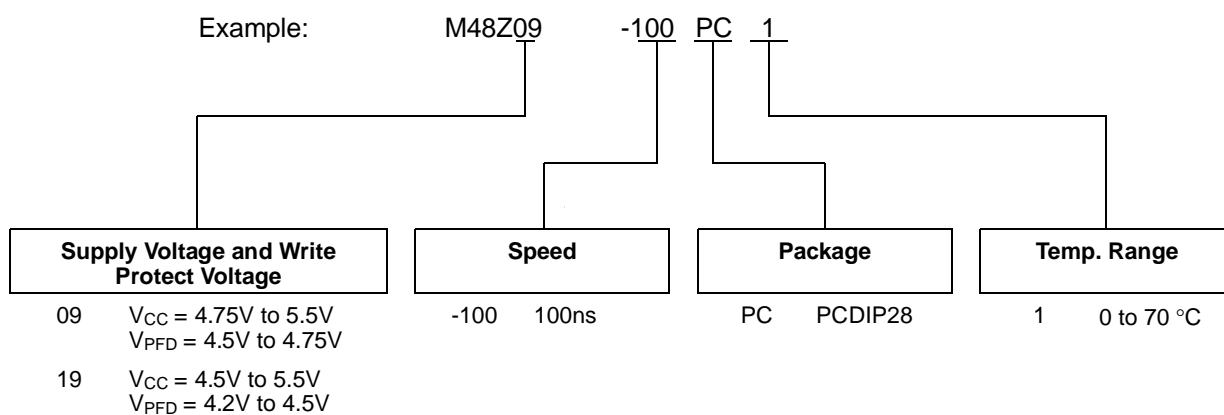
Each M48Z09,19 is marked with a nine digit manufacturing date code in the form of H99XXYYZZ. For example, H995B9431 is:

- H = fabricated in Carrollton, TX
- 9 = assembled in Muar, Malaysia,
- 9 = tested in Muar, Malaysia,
- 5B = lot designator,
- 9431 = assembled in the year 1994, work week 31.

**Figure 9. Predicted Battery Storage Life versus Temperature**



## ORDERING INFORMATION SCHEME



For a list of available options (Supply Voltage, Speed, Package, etc...) refer to the current Memory Shortform catalogue.

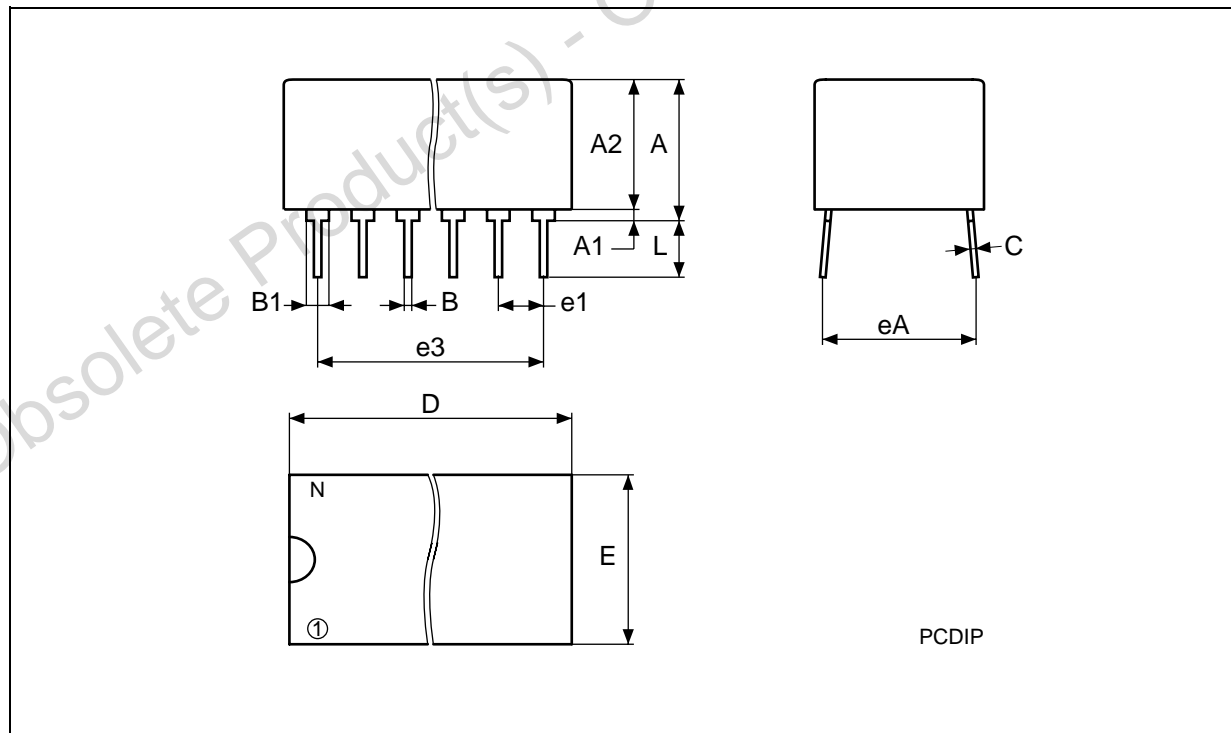
For further information on any aspect of this device, please contact the SGS-THOMSON Sales Office nearest to you.

Obsolete Product(s) - Obsolete Product(s)

**PCDIP28 - 28 pin Plastic DIP, battery CAPHAT**

Symb	mm			inches		
	Typ	Min	Max	Typ	Min	Max
A		8.89	9.65		0.350	0.380
A1		0.38	0.76		0.015	0.030
A2		8.38	8.89		0.330	0.350
B		0.38	0.53		0.015	0.021
B1		1.14	1.78		0.045	0.070
C		0.20	0.31		0.008	0.012
D		39.37	39.88		1.550	1.570
E		17.83	18.34		0.702	0.722
e1		2.29	2.79		0.090	0.110
e3		29.72	36.32		1.170	1.430
eA		15.24	16.00		0.600	0.630
L		3.05	3.81		0.120	0.150
N		28			28	

PCDIP28



Drawing is not to scale

Information furnished is believed to be accurate and reliable. However, SGS-THOMSON Microelectronics assumes no responsibility for the consequences of use of such information nor for any infringement of patents or other rights of third parties which may result from its use. No license is granted by implication or otherwise under any patent or patent rights of SGS-THOMSON Microelectronics. Specifications mentioned in this publication are subject to change without notice. This publication supersedes and replaces all information previously supplied. SGS-THOMSON Microelectronics products are not authorized for use as critical components in life support devices or systems without express written approval of SGS-THOMSON Microelectronics.

© 1994 SGS-THOMSON Microelectronics - All Rights Reserved

® ZEROPOWER is a registered trademark of SGS-THOMSON Microelectronics

™ CAPHAT and BYTEWIDE are trademarks of SGS-THOMSON Microelectronics

SGS-THOMSON Microelectronics GROUP OF COMPANIES

Australia - Brazil - China - France - Germany - Hong Kong - Italy - Japan - Korea - Malaysia - Malta - Morocco - The Netherlands - Singapore - Spain - Sweden - Switzerland - Taiwan - Thailand - United Kingdom - U.S.A.